

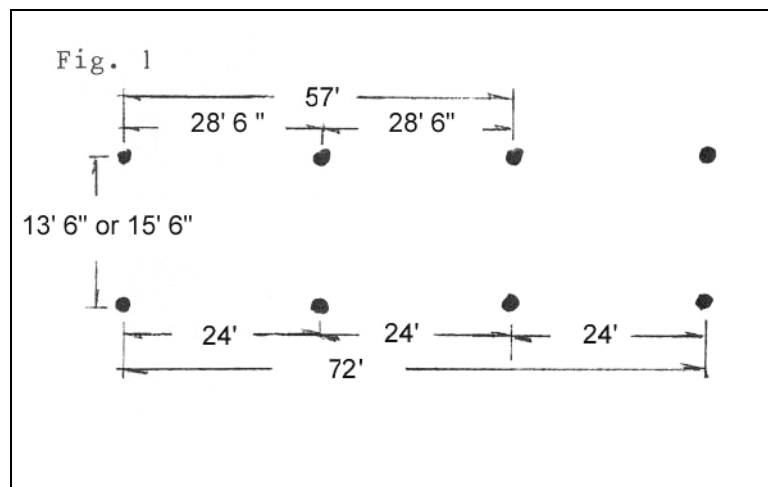
Commercial Frame Kit Assembly Instructions

IMPORTANT: *Please read directions thoroughly before assembling your Commercial Frame.*

Enclosed in your frame shipment are frame elbows, ground sleeves or feet, angle supports, eye bolts, self-drilling screws (the screws drill their own holes), cables, small U-bolts, clips, turnbuckles and large U-bolts. All you need to purchase are three 10' lengths of 2" EMT (thin walled) **for each arch** (nine for a 55' frame and 12 for a 70' frame) and four lengths of 1 ½" thin walled EMT for the angle supports. Go to a home store such as Lowes or Home Depot.

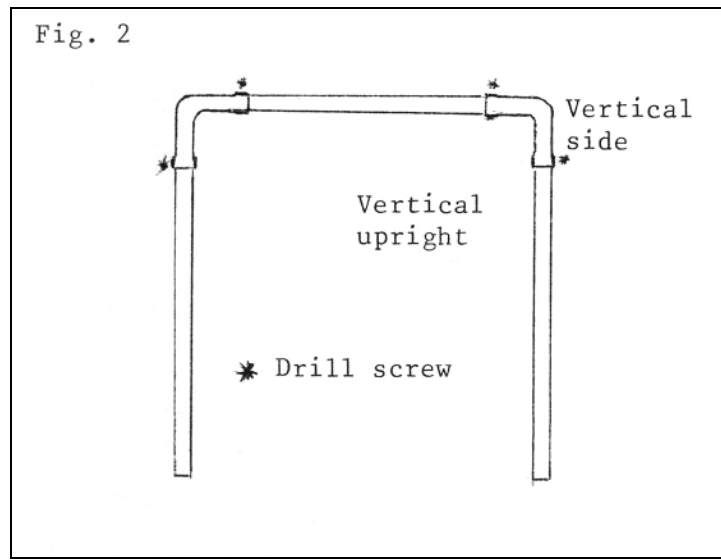
The frame should extend about one foot past the end of the batting cage, at each end to prevent balls from hitting the frame uprights and breaking the net. A 55'x12'x12' net's frame should be about 57' long and a 70'x12'x12' net's frame should be about 72' long. The frame is 13' 6" wide for a 12' wide net and 15' 6" wide for a 14' wide net.

1. Lay out the frame's perimeter (where the ground sleeves, or feet, should be located) and put stake into the ground where each ground sleeve will be inserted. [See Figure 1.](#)

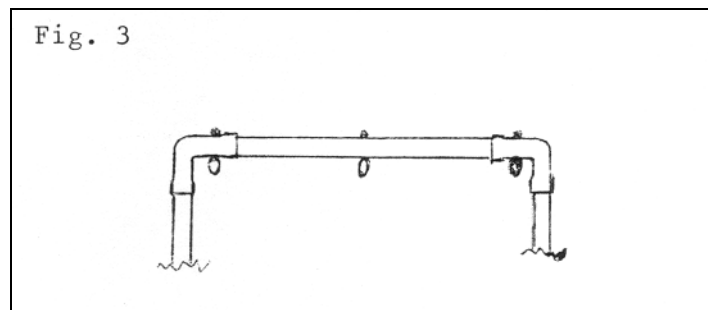


2. Assemble the arches, on the ground, near where they will be inserted into the ground sleeves. Slip the 10' lengths into the elbows. Attach with one or two self-drilling screws per connection. The

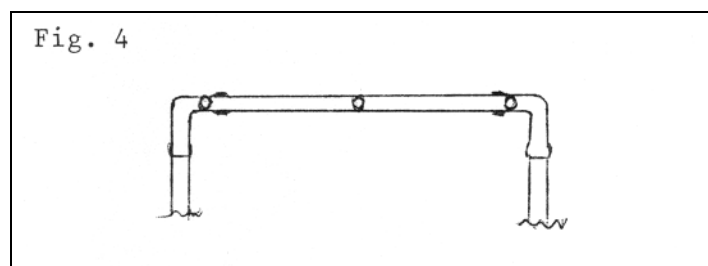
elbow side lengths are the same for the 12'Wx12'H arch. The short side (vertical side) of the 14'Wx12'H arch elbow attaches to the top of the vertical 10' length of EMT and the long side (vertical side) of the 14'Wx14'H arch elbow attaches to the top of the vertical 10' length. [See Figure 2.](#)



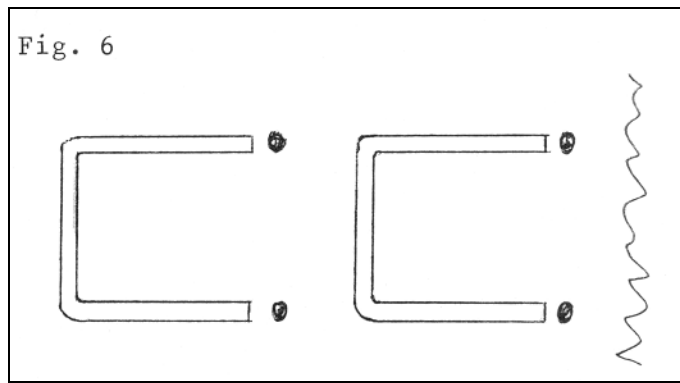
3. Attach 3 eye bolts to the **underside** of the middle arch(es) horizontal upright(s) so that they are **vertical** to the ground by first drilling a 5/16" hole in the middle of the arch. Measure 6' toward each side (for a 12' wide net) and 7' (for a 14' wide net) and attach the other two eye bolts. [See Figure 3.](#)



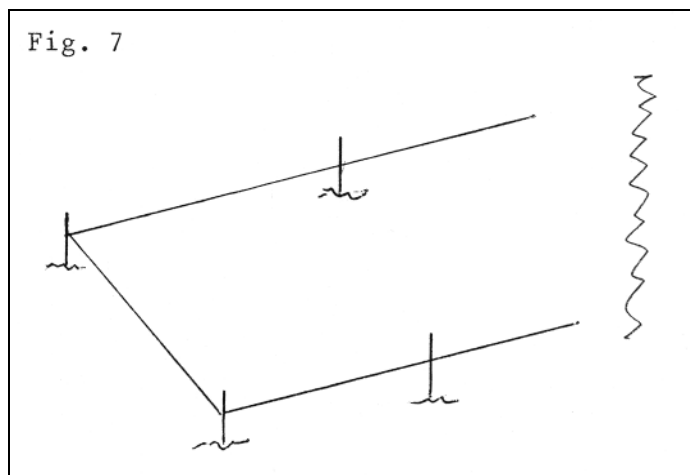
4. (Attach the end arch eye bolts, in the same manner, except the eye bolts should be **horizontal** to the ground so you can easily pull the net tight. [See Figure 4.](#)



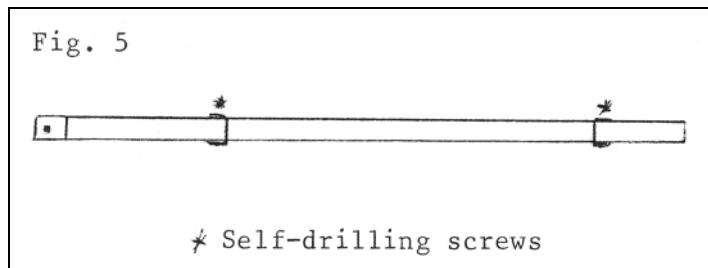
5. Position the bottom of the arch, with it still lying on the ground, so that the bottoms of the legs are next to the stakes as determined in figure 1. This should tell you exactly where the ground sleeves should be set. [See Figure 6.](#)



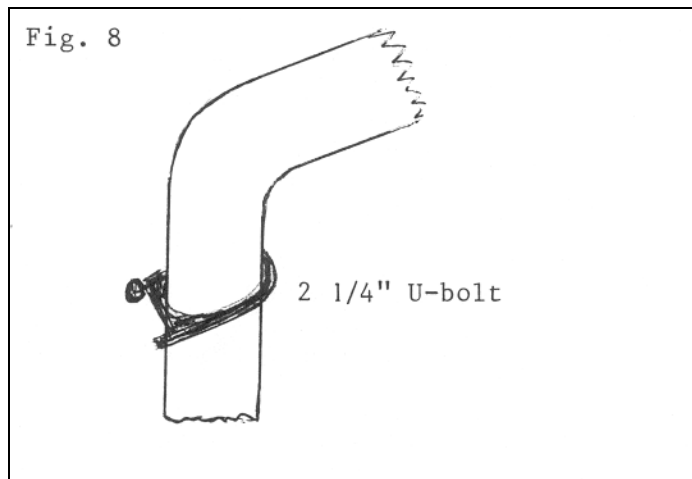
6. Dig holes for ground sleeves about 6" - 8" in diameter and about 19" - 22" deep (this allows space for cement at the bottom). The ground sleeves are 20" long including the fluted area. Make sure that the tops of the ground sleeves are level with each other. An easy way to do this is to put stakes around the perimeter of the frame and stretch out cord level between stakes. **To be level, some ground sleeves may be higher than others.** [See Figure 7.](#)



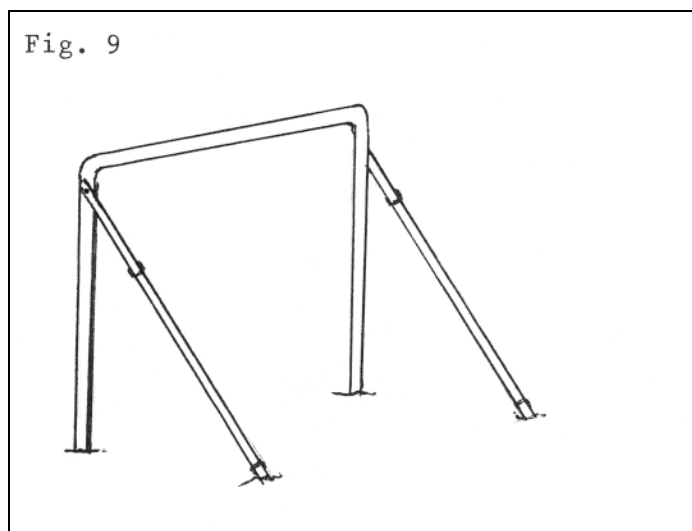
7. Cement the ground sleeves into the ground **vertically level and level with each other.** The end of the arch(es) that will be inserted into the ground sleeves, should be close by. Don't pour the cement above the flared part so that it can be attached to the upright with a self-drilling screw. Some people like to have the tops flush with the ground. Remember to leave enough room to attach the upright. with self-drilling screws.
8. After the concrete has set, slip the arches into the ground sleeves and attach using the self-drilling screws. The end frame arches will be supported with angle supports.
9. Assemble the angle support as shown in [Figure 5.](#)



10. Attach the four 2 ¼" U-Bolts around the upper vertical elbows about 2"-4" from the top of the arch (6"-8" from the top of a 14'high frame). The open ends of the U-bolts should face away from the frame. [See Figure 8.](#) Tighten the rear bolt snug. Attach the end of each angle support, with the hole, to the U-Bolt side, without a nut, and attach and then tighten the nut.

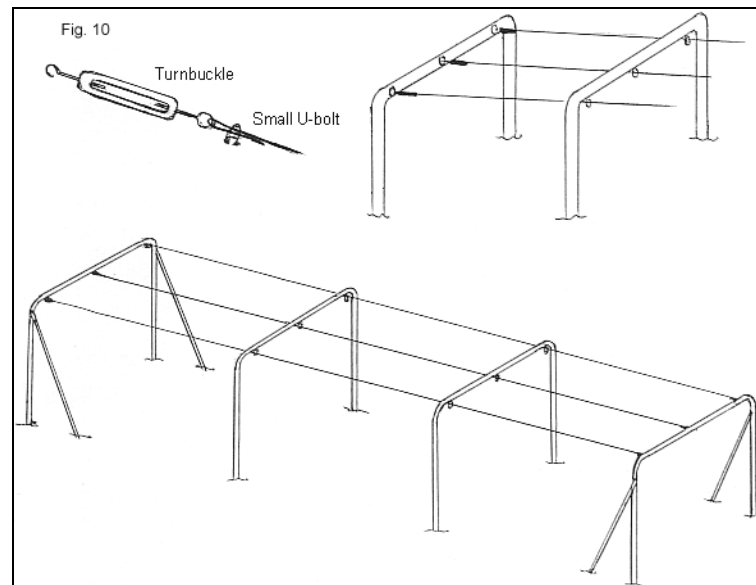


11. Dig a hole just behind where the end touches the ground. Cement the angle support into the ground on an angle. [See Figure 9.](#)



12. Attach one end of each cable to a turnbuckle using a small U-bolt. [See figure 10.](#) Open the turnbuckles and attach the hook end to the eye bolts at one end of the frame. Insert cable through

the middle eyebolts of the middle arches. Open the remaining turnbuckles and attach the hook ends to the remaining frame eye bolts. Run the cables through the turnbuckles, pulling cable snug. Attach and tighten the small U-bolts. Now close the turnbuckles to the tension you want. [See Figure 10.](#)



13. Lay out the net under the frame.
14. Attach the clips to the top support ropes and a mesh of the batting cage, every four feet.
15. Tie the three top support ropes, of one end, to the end-arch's eye bolts so that the ropes are about one foot from the arch.
16. Temporarily tie the other end's top support ropes so that the net is off the ground.
17. Attach the clips, on one side of the net, to the top side cable; then attach the other side. Then from within the batting cage, attach the middle net clips to the middle cable.
18. (Pull the top support ropes, on the end of the net that were tied temporarily, to stretch the batting cage to its proper form. Do not over tighten. Tie the remaining support ropes.
19. Tie the four corner ropes, at the bottom of the net, to the bottom of the corner poles.

Congratulations, your batting cage is finished... Now it's time to PLAY BALL.